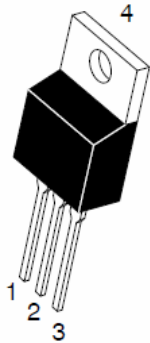
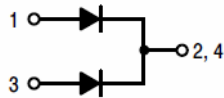


7UHQFK 026 %DUULHU 6FKRWWN\ 5H

TO-220AB  
TSR20L OCT



ITO-220AB  
TSR20L OCTF



### Features

- ‡ \$GYDQWUHQFK WHFKQRORJ\
- ‡ /RZRZDWRGWDJH GURS
- ‡ /RZRZDWRVHV
- ‡ +LJKILFLHQF\ RSHUDWLRO
- ‡ /HDGH)HLQLVK &R#6OLDQW

### Applications

- ‡ '&' & RQYHUWHUV
- ‡ \$&' & \$GDSWRUV
- ‡ 6ZLWFKRZDIXSSOLHV
- ‡ )UHHZKH'HLRQJ

Maximum ratings and electrical characteristics (T<sub>J</sub> = 25°C unless otherwise noted)

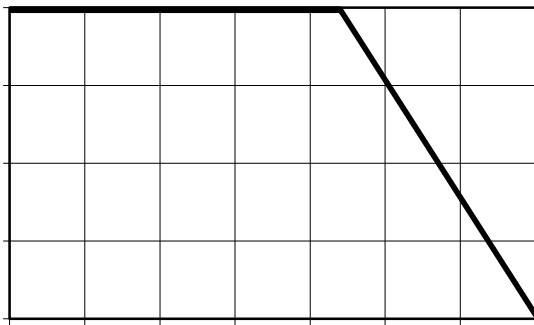
3DUDPHWHU		6\PERO	/LPLW	8QLW
0D[LPXPHSHVSHUNYHYURQHW DJH		9550		9
0D[LPXPHYHURJHZDUG UFXEWHIHWG	GHYLFH SHGLRGH	,) \$9		\$
3HDN IRVZDUEBUUHQW VLQDQH ZDYH VXSHULPSRVHGRFSGUDRCHG		,)60		\$
2SHUDMXQDQCRQWRUDJH WHPSHUDW	XUH 0DQJH	WR		f &
7\SLFVCHUPDO USHVULVQHDQFH	72 \$% ,72 \$%	5\$-&		f & : f & :
,QVWDQWDQHRXUWRUJHZDUG SHGLRGH	,) \$	7- f&	7 < 3	9
	,) \$	7- f&	0\$;	
	,) \$	7- f&		
	,) \$	7- f&		
,QVWDQWDQHRXUWRUJHZDUG UDWHYHYURQHW DJH	7- f&	,5		X\$
	7- f&			P\$

1RWHV

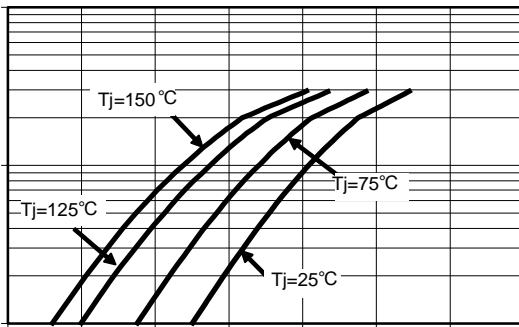
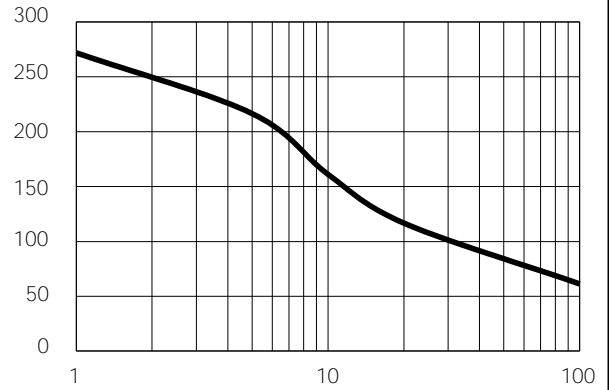
3XOVH WHVWSXOVH ZLGWK GXW\ F\FOH

3XOVH WHVW 3XOVH ZLGWK 0 PV

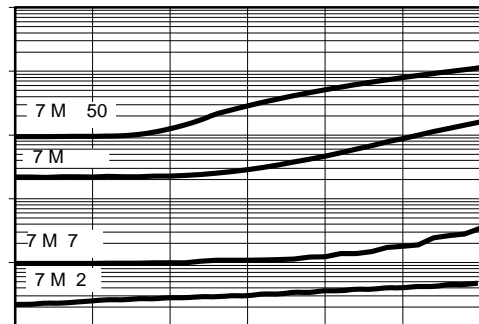
RATINGS AND CHARACTERISTICS CURVES (TA = 25 °C unless otherwise noted)



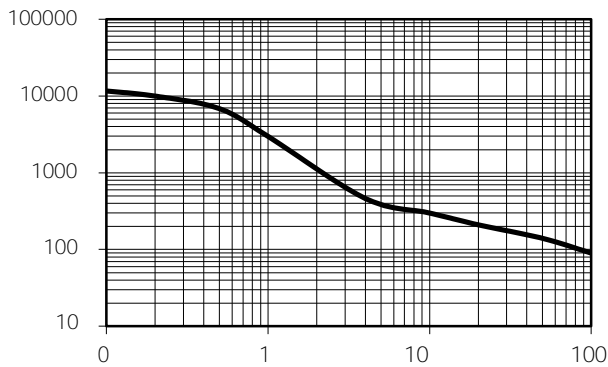
7 F & DVH 7&HPS



9 I , Q V W D Q W D Q H S R O W ) B R J H Z D R U G G

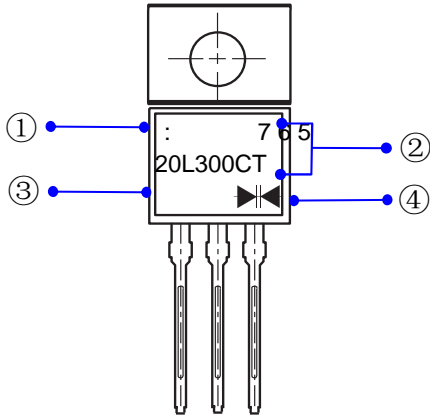



9 5 5 H Y H U V H 9 R O W D J H 9 R O W V





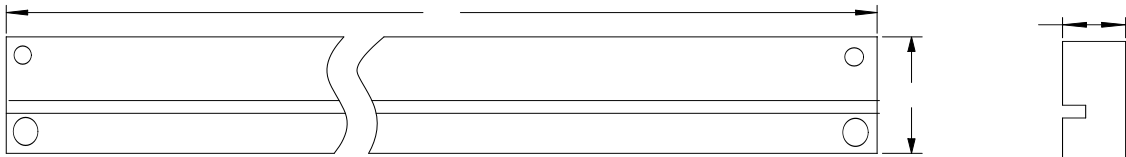
### Marking Information



- ①
  - ② 3 URGXFW P 20L300 or TSR20L300CTF
  - ③ 3' & LQIRUPDWLRQ
- 

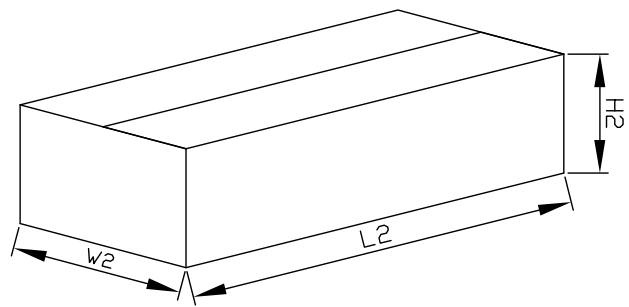
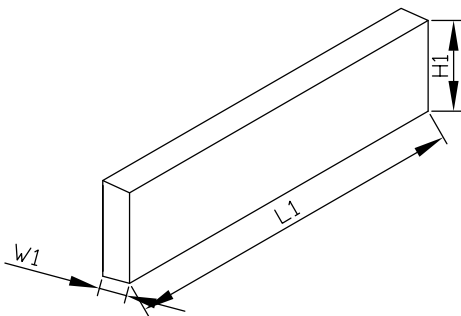
### Packaging Information

7XEH 'LPHQVLRQV



,QVLGH %R[

2XWVLGH %R[



### Packaging Information

12	81,	7XEH 'LPHQVLRQV			,QVLGH %R[			2XWVLGH %R[		
6L]H	PP	\$	%	&	/	:	+	/	:	+
47<	3&6	3&6 7XEH			6PDO SHVWDJH3&6 WXEVRWDO			3&6 FDUVRWDO		
1RW	H	7ROHUDQFH PP" PP			PP" PP			PP" PP		